

Product Group 1 STAND BRACKETS

Super Standfix Universal
for all multi-row panel radiators with and without convector panels



Benefits:

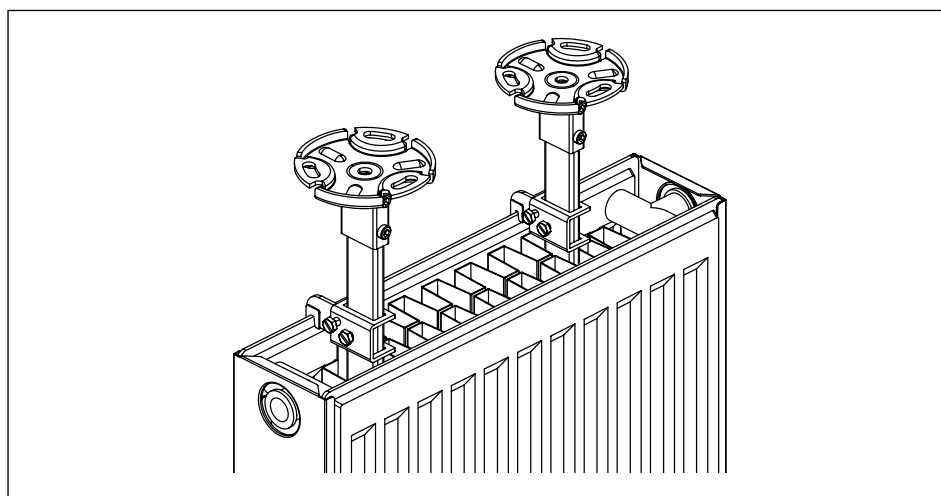
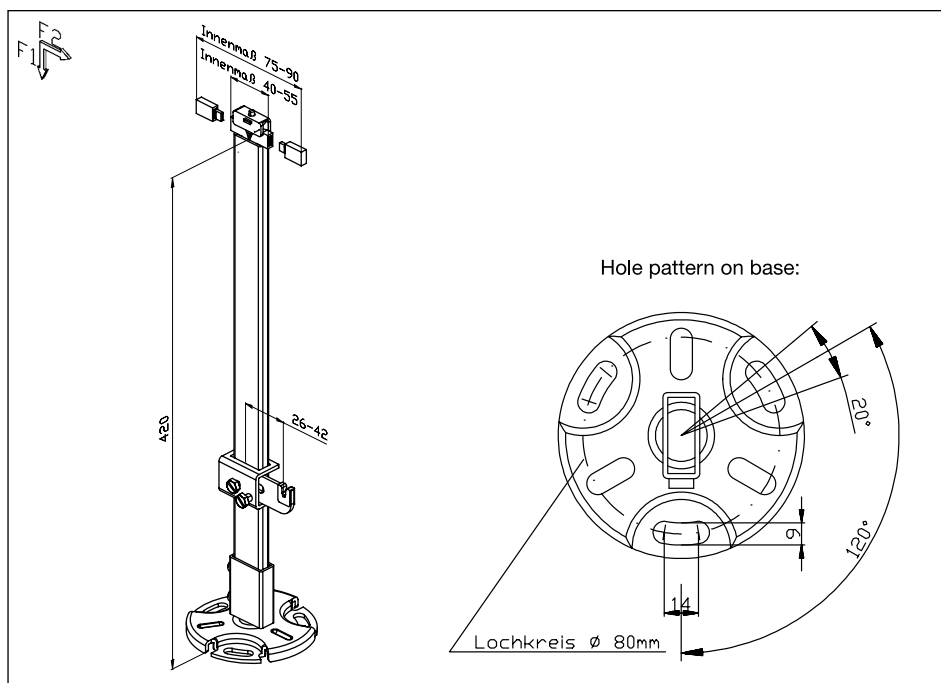
- Internal installation of radiator heights of between 200 and 900 mm
- The installation of radiators without convector panel (types 20, 30) is possible
- No need to dismantle the side and top cover strips
- Fully pre-assembled bracket
- Short installation time
- High load-bearing values


Product features:

- Powder-coated in white
- Sound-insulating
- Integrated anti-lifting mechanism

Accessories:

Base for special floor constructions, Design pipe and base cover (see pages 11 and 21)



Order number	Type	Recommended maximum load per bracket		 10
		F1 [N]	F2 [N]	
10-810	SSU	1600	250	10